

## CUCINE GAS + FORNO GAS VENTILATO E900 XP GAS COOKING + CONVECTION GAS OVEN E900 XP

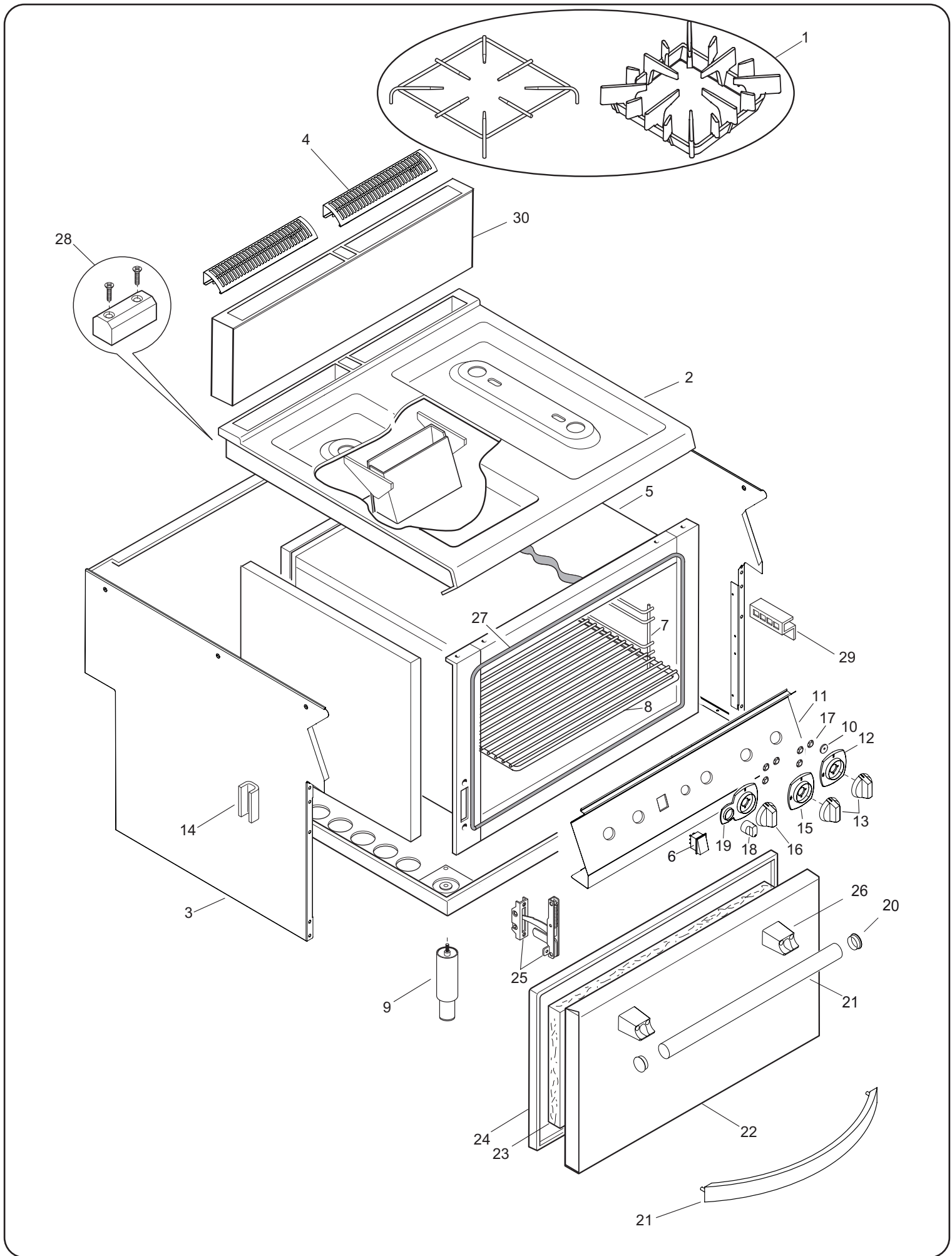
PNC	Model	Ref	Brand	Burner	Notes
391007	E9GCGH4CVL	a	Elx	4 (ø60)	
391008	E9GCGH4CV0	b	Elx	4 (ø60-ø100)	
391009	E9GCGH4CVM	c	Elx	4 (ø100)	
392007	Z9GCGH4SVL	d	Zan	4 (ø60)	
392008	Z9GCGH4SV0	e	Zan	4 (ø60-ø100)	
392009	Z9GCGH4SVM	f	Zan	4 (ø100)	
392216	Z9GCGH4CVL	g	Zan	4 (ø60)	CAST IRON
392217	Z9GCGH4CV0	h	Zan	4 (ø60-ø100)	CAST IRON
392218	Z9GCGH4CVM	i	Zan	4 (ø100)	CAST IRON
393008	A9GCGH4SV0	l	Diamond	4 (ø60-ø100)	
393009	A9GCGH4SVM	m	Diamond	4 (ø100)	

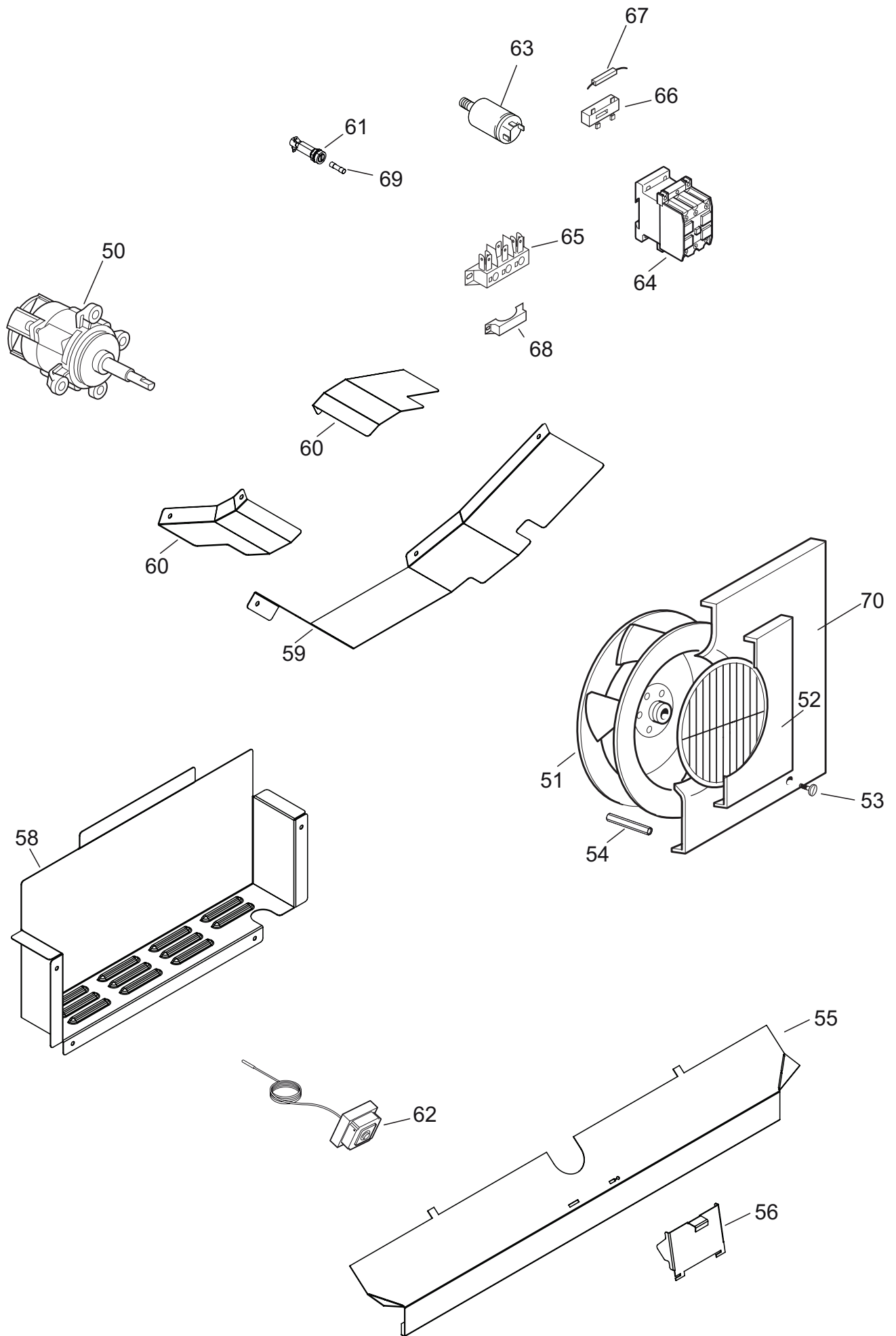
### Index

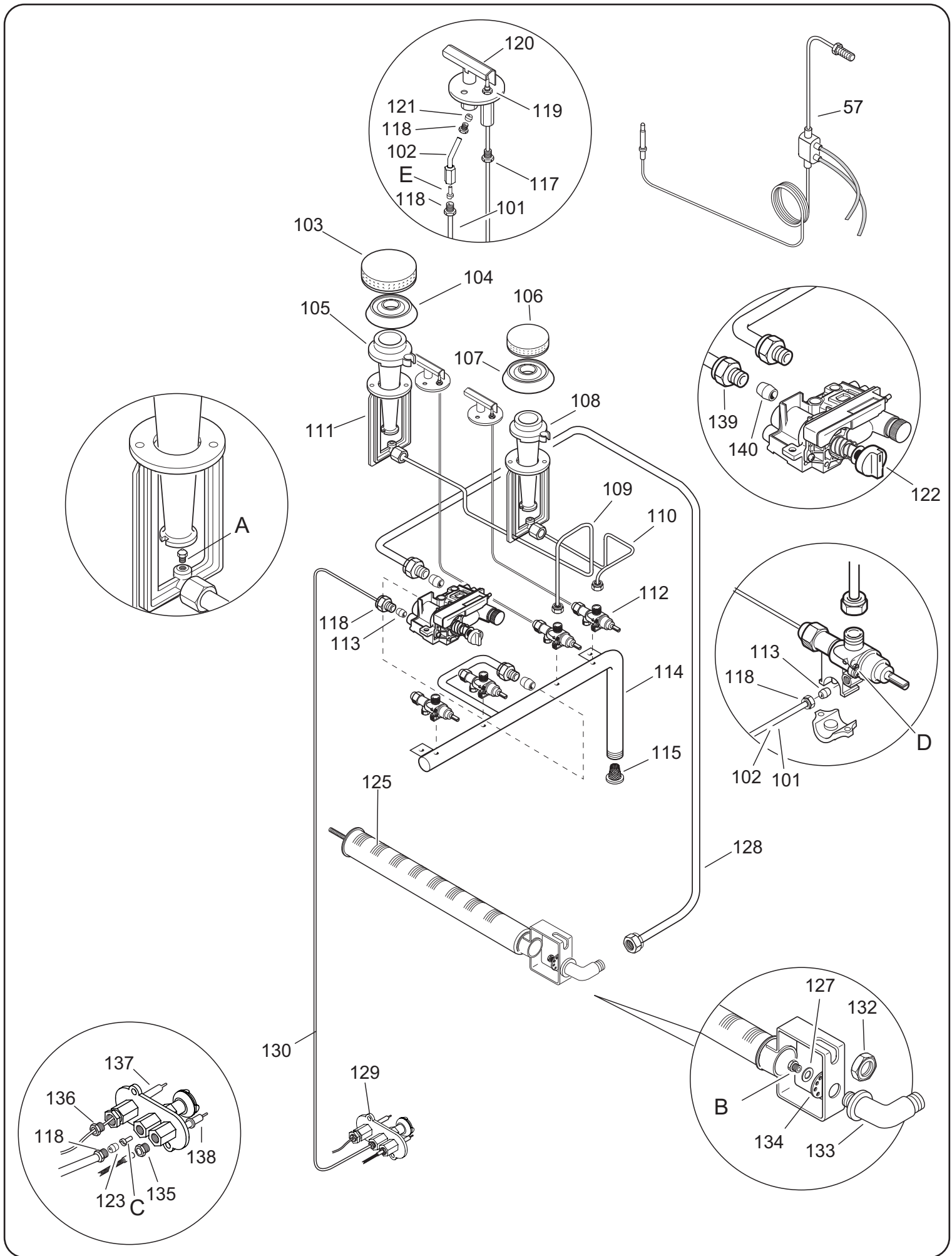
Gas Top / Componenti Top	Page
Electric components / Componenti elettrici	2
Gas components / Componenti gas	3
Nozzles table / Tabelle ugelli	4
Spare parts list / Lista ricambi	5-6
	7-9

**Bold=last change / Grassetto =ultima modifica**

Rev. 7







<b>A - Ugello bruciatore / Burner nozzle ø60</b>			
<b>Spare part Code</b>	<b>Ref.</b>	<b>Notes</b>	
0CBAUF	ø1.20	3+3B/P	G30 30mbar
0C0147	ø1.10	3B/P	G30 37mbar
0C0147	ø1.10	3B/P	G30 50mbar
0CBAUL	ø1.90	2H/2E+	G20 20mbar
0CBAUK	ø1.80	2H	G20 25mbar
0C0141	ø1.95	2L	G25 25mbar
0CBAUL	ø1.90	2K	G25.3 25mbar
0C0143	ø2.20	2ELL	G25 20mbar
0C2806	ø1.85/2.10	2S	G25.1 25mbar
0C3657	ø3.60	1a	G110 8mbar
0C3658	ø3.30	1b	G120 8mbar

<b>A - Ugello bruciatore / Burner nozzle ø100</b>			
<b>Spare part Code</b>	<b>Ref.</b>	<b>Notes</b>	
0CBAUE	ø1.55	3+3B/P	G30 30mbar
059384	ø1.50	3B/P	G30 37mbar
0C0148	ø1.45	3B/P	G30 50mbar
0C9589	ø2.50	2H/2E+	G20 20mbar
0C4154	ø2.15/2.60	2H	G20 25mbar
0C0145	ø2.65	2L	G25 25mbar
0CBAUM	ø2.55	2K	G25.3 25mbar
0C0146	ø2.75	2ELL	G25 20mbar
0C4153	ø2.45/3.30	2S	G25.1 25mbar
0CBAUH	ø4.80	1a	G110 8mbar
0CBAUI	ø4.20	1b	G120 8mbar

<b>E - Ugello pilota / Pilot nozzle</b>			
<b>Spare part Code</b>	<b>Ref.</b>	<b>Notes</b>	
054593	n°25	3+3B/P	G30 30mbar
054593	n°25	3B/P	G30 37mbar
054593	n°25	3B/P	G30 50mbar
053670	n°41	2H/2E+	G20 20mbar
053670	n°41	2H	G20 25mbar
053670	n°41	2L	G25 25mbar
053670	n°41	2K	G25.3 25mbar
053670	n°41	2ELL	G25 20mbar
053670	n°41	2S	G25.1 25mbar
053669	n°75	1a	G110 8mbar
053669	n°75	1b	G120 8mbar

<b>D - Vite di minimo / Min screw ø60</b>			
<b>Spare part Code</b>	<b>Ref.</b>	<b>Notes</b>	
002911	ø0.55	3+3B/P	G30 30mbar
002911	ø0.55	3B/P	G30 37mbar
002925	ø0.50	3B/P	G30 50mbar
002899	ø0.80	2H/2E+	G20 20mbar
002899	ø0.80	2H	G20 25mbar
002899	ø0.80	2L	G25 25mbar
002899	ø0.80	2K	G25.3 25mbar
002899	ø0.80	2ELL	G25 20mbar
002899	ø0.80	2S	G25.1 25mbar
-	adjust	1a	G110 8mbar
-	adjust	1b	G120 8mbar

<b>D - Vite di minimo / Min screw ø100</b>			
<b>Spare part Code</b>	<b>Ref.</b>	<b>Notes</b>	
002769	ø0.75	3+3B/P	G30 30mbar
002908	ø0.70	3B/P	G30 37mbar
002991	ø0.65	3B/P	G30 50mbar
002902	ø1.05	2H/2E+	G20 20mbar
002902	ø1.05	2H	G20 25mbar
002902	ø1.05	2L	G25 25mbar
002902	ø1.05	2K	G25.3 25mbar
002902	ø1.05	2ELL	G25 20mbar
002902	ø1.05	2S	G25.1 25mbar
-	adjust	1a	G110 8mbar
-	adjust	1b	G120 8mbar

<b>E - Ugello pilota FORNO / Pilot nozzle OVEN</b>			
<b>Spare part Code</b>	<b>Ref.</b>	<b>Notes</b>	
053667	n° 30	3+3B/P	G30 30mbar
053667	n° 30	3B/P	G30 37mbar
053667	n° 30	3B/P	G30 50mbar
053670	n° 41	2H/2E+	G20 20mbar
053670	n° 41	2H/2E+	G20 25mbar
053670	n° 41	2L	G25 25mbar
053670	n° 41	2K	G25.3 25mbar
053670	n° 41	2ELL	G25 20mbar
053670	n° 41	2S	G25.1 25mbar
053669	n° 75	1a	G110 8mbar

<b>D - Ugello bruciatore FORNO / Burner nozzle OVEN</b>			
<b>Spare part Code</b>	<b>Ref.</b>	<b>Notes</b>	
054127	ø1.65	3+3B/P	G30 30mbar
003722	ø1.55	3B/P	G30 37mbar
056470	ø1.45	3B/P	G30 50mbar
002267	ø2.45	2H/2E+	G20 20mbar
004727	ø2.35	2H/2E+	G20 25mbar
003997	ø2.55	2L	G25 25mbar
002267	ø2.45	2K	G25.3 25mbar
0C0747	ø2.70	2ELL	G25 20mbar
002268	ø 2.60	2S	G25.1 25mbar
054545	ø 7.00	1a	G110 8mbar

CUCINE GAS + FORNO GAS VENTILATO E900 XP  
GAS COOKING + CONVECTION GAS OVEN E900 XP

Pos	Factory Code	Spare Code	Descrizione	Description	Ref./Notes
1	0510821002	0C1985	GRIGLIA FUOCHI GHISA	CAST IRON GRID	Elx, CAST IRON
1	0510819606	0C1278	GRIGLIA FUOCHI ACCIAIO	STAINLESS STEEL GRID	Zan
1	0510819903	0C0132	GRIGLIA FUOCHI ACCIAIO	STAINLESS STEEL GRID	Diamond
2	050289BC01	0C7143	RIPIANO 800mm	TABLE TOP 800mm	Elx
2	085089H800	0C7264	RIPIANO 800mm	TABLE TOP 800mm	Zan, Diamond
3	085089F104	*	FASCIA FORNO	OVEN PANEL	Elx
3	085089F604	*	FASCIA FORNO	OVEN PANEL	Zan, Diamond
4	050389LP00	0C7333	GRIGLIA CAMINO	GRATE, CHIMNEY	
5	0560873F00	*	ISOLAMENTO FORNO	INSULATION, OVEN	
6	0640804B00	*	INTERRUTTORE	SWITCH	
7	051489AZ00	0C7337	GUIDA GRIGLIA	GRATE LEADING	
8	051489AY02	0C7336	GRIGLIA FORNO	GRATE, OVEN	
9	0835856900	0C0204	PIEDE	FOOT	
10	0541813800	0C6171	RONDELLA SILICONE	SILICON WASHER	
11	085089B401	0C7351	CRUSCOTTO 800mm	CONTROL PANEL 800mm	Elx
11	087089GU01	0C7287	CRUSCOTTO 800mm	CONTROL PANEL 800mm	Zan
11	080083AU00	*	CRUSCOTTO 800mm	CONTROL PANEL 800mm	Diamond
12	0511850D01	0C7330	GHIERA MANOPOLA FUOCHI ANT.	KNOB RING, FRONT BURNER	Elx
12	0548879F00	0C7243	GHIERA MANOPOLA FUOCHI ANT.	KNOB RING, FRONT BURNER	Zan, Diamond
13	0511850D01	0C7330	MANOPOLA PER RUBINETTO GAS	KNOB, GAS TAP	Elx
13	0548878101	0C7425	MANOPOLA PER RUBINETTO GAS	KNOB, GAS TAP	Zan
13	0548865600	0C1007	MANOPOLA PER RUBINETTO GAS	KNOB, GAS TAP	Diamond
14	0527850500	0C0156	PIASTRA FISSAGGIO FIANCHI	SIDE PANELS JOINTING PLATE	
15	0548876T00	0C7332	GHIERA MANOPOLA FUOCHI POS.	KNOB RING FOR REAR BURNER	Elx
15	0548879G00	0C7244	GHIERA MANOPOLA FUOCHI POS.	KNOB RING FOR REAR BURNER	Zan, Diamond
16	0511850D01	0C7330	MANOPOLA TERMOSTATO VALVOLA	KNOB, GAS VALVE THERMOSTAT	Elx
16	0548877Z01	0C7179	MANOPOLA TERMOSTATO VALVOLA	KNOB, GAS VALVE THERMOSTAT	Zan
16	0548872700	0C5252	MANOPOLA TERMOSTATO VALVOLA	KNOB, GAS VALVE THERMOSTAT	Diamond
17	0218912211	069567	MOLLETTA	SPRING	
18	0548863303	0C2021	MANOPOLA ACCENDITORE VALV.	KNOB, GAS VALVE IGNITER	Elx
18	0548878303	0C7181	MANOPOLA ACCENDITORE VALV.	KNOB, GAS VALVE IGNITER	Zan
18	0548856603	0C0190	MANOPOLA ACCENDITORE VALV.	KNOB, GAS VALVE IGNITER	Diamond
19	0548877400	0C7342	GHIERA VALVOLA FORNO	KNOB RING, GAS VALVE OVEN	Elx
19	0548879700	0C7241	GHIERA VALVOLA FORNO	KNOB RING, GAS VALVE OVEN	Zan, Diamond
20	0530R01801	0C6823	TAPPO MANIGLIA	HANDLE STOPPER	
21	051589A500	0C7274	MANIGLIA FORNO	HANDLE, OVEN	Elx
21	051589A602	0C7226	MANIGLIA FORNO	HANDLE, OVEN	Zan
21	083089FY00	0C7946	MANIGLIA FORNO	HANDLE, OVEN	Diamond
22	085589C103	0C7159	PORTA FORNO	OVEN DOOR	
23	0560839601	0C0197	ISOLAMENTO PORTA FORNO	INSULATION OVEN DOOR	
24	050389UH01	*	CONTROPORTA FORNO	INNER DOOR	
25	0835876300	0C7185	CERNIERA PORTA	HINGE	
26	0530R01701	0C6891	SUPPORTO MANIGLIA	HANDLE SUPPORT	Elx
-	085589C103	0C7159	ASS. PORTA FORNO	OVEN DOOR	Elx
-	085589D103	0C8275	ASS. PORTA FORNO	OVEN DOOR	Zan
-	085589K700	*	ASS. PORTA FORNO	OVEN DOOR	Diamond
27	0543844H00	0C7341	GUARNIZIONE	GASKET	
28	0516860702	0C0137	PIASTRINA X GIUNZIONE	JOINTING REAR PLATE	
29	0507899M01	0C7334	SUPPORTO BULBO	BULB SUPPORT	
30	850899K00	*	ASS.ALZATINA CAMINO H.180 L.800	UPSTAND H.180 L.800	



CUCINE GAS + FORNO GAS VENTILATO E900 XP  
GAS COOKING + CONVECTION GAS OVEN E900 XP

Pos	Factory Code	Spare Code	Descrizione	Description	Ref./Notes
50	0611804002	002616	MOTORE	MOTOR	
51	0682800400	0C7348	VENTOLA	FAN	
52	080589AR01	0C7339	PARETE ASPIRAZIONE	SUCTION WALL	
53	0217064305	0CB157	VITE FISSAGGIO PARETE	SCREW FOR SUCTION WALL	
54	050189AC01	0CB156	DISTANZIALE PARETE	NUT FOR SUCTION WALL FIXING	
55	050389UG01	0CB403	PROTEZIONE ANTERIORE	ANTERIOR PROTECION	
56	050189AP00	*	PORTELLINO PILOTA	PILOT DOOR	
57	083089FH00	0C7716	TERMOCOPPIA INTERROTTA	THERMOCOUPLE	
58	050189AB00	*	PANNELLO MOTORE	MOTOR PANEL	
59	0509805W00	*	CONVOGLIATORE	CONVEYER	
60	0509805X00	*	CONVOGLIATORE	CONVEYER	
61	0652802100	0F0031	PORTAFUSIBILE	FUSE HOLDER	
62	0646808600	004600	TERMOSTATO DI SICUREZZA	SAFETY THERMOSTAT	
63	0694800300	056148	CONDENSATORE	CONDENSER	
64	0648727100	0C7347	CONTATTORE	CONTACTOR	
65	0639804900	046357	MORSETTIERA	MAIN BOARD	
66	0639805100	058873	SUPPORTO RESISTENZA	RESISTOR SUPPORT	
67	0617813201	058872	RESISTANCE	RESISTOR	
<b>68</b>	<b>0544826S00</b>	<b>0CBAGT</b>	<b>PRESSACAVO</b>	<b>CABLE FIXING</b>	
69	0652801800	002820	FUSIBILE 160 mA 5x20	FUSE 160 mA 5x20	
70	050189AL01	*	PROTEZIONE VENTOLA	FAN PROTECTION	
101	0544820700	0C3647	CONDUTTURA ANTERIORE PILOTA	FRONTAL PILOT PIPE	
101	0544821100	0C3648	CONDUTTURA POST. PILOTA	REAR PILOT PIPE	
102	0510823900	0C3643	RACCORDO INFERIORE PILOTA	INFERIOR PILOT JUNCTION	Up to 2006/18 order KIT 0C3652 see TB PDX2006-03
103	0510819401	0C0128	SPARTIFIAMMA DIAM.100	FLAME SPREADER DIA.100	
104	0510819203	0C0126	BRUCIATORE DIAM.100	BURNER DIA.100	
105	0510820602	0C0133	VENTURI BRUCIATORE DIAM.100	VENTURI, BURNER DIA.100	
106	0510819501	0C0129	SPARTIFIAMMA DIAM.60	FLAME SPREADER DIA.60	
107	0510819303	0C0127	BRUCIATORE DIAM.60	BURNER DIA.60	
108	0510819103	0C0125	VENTURI BRUCIATORE DIAM.60	VENTURI, BURNER DIA.60	
109	0835857507	0C0207	CONDUTTURA POST. FUOCHI	REAR BURNER PIPE	
110	0835857407	0C0206	CONDUTTURA ANTERIORE FUOCHI	FRONTAL BURNER PIPE	
111	0510819004	0C0124	SUPPORTO VENTURI	HOLDER FOR VENTURI	
112	0835857201	0C0205	RUBINETTO GAS	GAS TAP	
113	0215199700	052127	BICONO	DOUBLE CONE	
114	080589AQ00	0C7349	RIBALTA	MANIFOLD	
115	0516863902	0C0140	FILTRO GAS	FILTER	
116					
117	0214162000	0C0121	RACCORDO X TERMOCOPPIA	NUT, THERMOCOUPLE	
<b>118</b>	<b>0516887500</b>	<b>0C3646</b>	<b>RACCORDO</b>	<b>NUT</b>	Up to 2006/18 order KIT 0C3652 see TB PDX2006-03
119	0831800500	0C0202	TERMOCOPPIA	THERMOCOUPLE	
120	0806854300	0C3644	PILOTA	PILOT	Up to 2006/18 order KIT 0C3652 see TB PDX2006-03
<b>121</b>	<b>0516888200</b>	<b>0C3645</b>	<b>BICONO</b>	<b>DOUBLE CONE</b>	Up to 2006/18 order KIT 0C3652 see TB PDX2006-03



CUCINE GAS + FORNO GAS VENTILATO E900 XP  
 GAS COOKING + CONVECTION GAS OVEN E900 XP

Pos	Factory Code	Spare Code	Descrizione	Description	Ref./Notes
122	0835859302	0C5247	VALVOLA GAS	GAS VALVE	
123	0215199700	052127	BICONO	DOUBLE CONE	
124					
125	0855899A00	0C6677	BRUCIATORE FORNO	OVEN BURNER	
126					
127	0506833401	054029	GUARNIZIONE PER UGELLO	GASKET, NOZZLE	
128	051489B003	0C8282	CONDUTTURA FORNO	OVEN PIPE	
129	083089F200	058146	PILOTA	PILOT	
130	051489B100	0C7338	CONDUTURA PILOTA FORNO	PILOT OVEN PIPE	
131					
132	0214105101	020997	CONTRODADO PORTAUGELLO	LOCK NUT	
133	0511805401	059250	PORTAUGELLO	INJECTOR HOLDER	
134	0830827102	054085	AREATORE	AERATOR	
135	0214164101	057960	RACCORDO X ELETTRODO	CONNECTION, ELECTRODE	
136	0214162000	0C0121	RACC.FISSAGGIO TERMOCOPPIA	CONNECTION, THERMOCOUPLE	
137	083089FH00	0C7716	TERMOCOPPIA	THERMOCOUPLE	
138	0830872200	059988	ELETTRODO DI ACCENSIONE	ELECTRODE	
139	0214164400	052125	RACCORDO	CONNECTION	
140	0515827401	053665	OGIVA	RING	